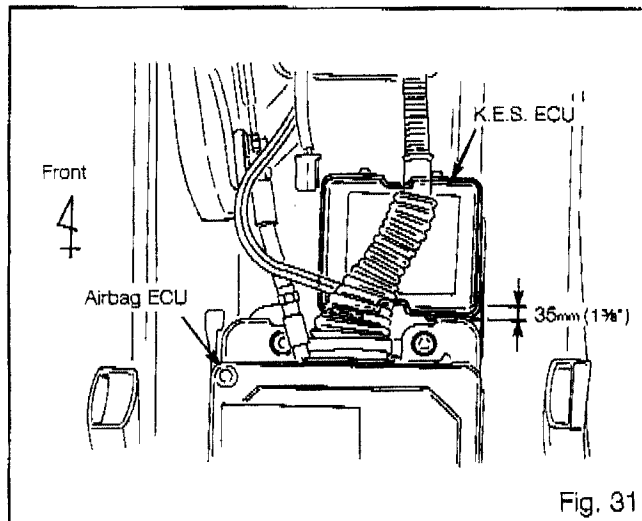


BEFORE MOUNTING THE ECU, TEMPORARILY CONNECT THE ECU CONNECTORS TO THE ECU, AND THE NEGATIVE BATTERY CABLE TO THE BATTERY. SKIP TO THE "TEST THE SYSTEM" SECTION, AND PERFORM THE FUNCTION CHECKS. COMPLETE THE INSTALLATION AFTER FINISHING THE FUNCTION CHECK.

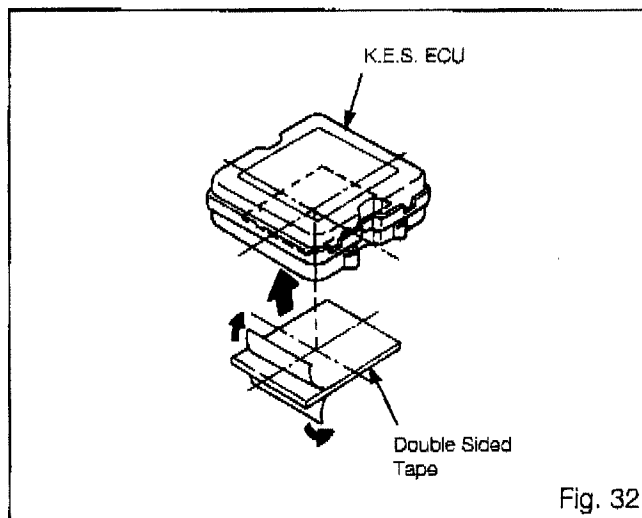
KEYLESS ENTRY SYSTEM ECU MOUNTING

(1) A) Place the Keyless Entry System ECU under the airbag ECU harness (yellow), in front of the airbag ECU as shown. Fig 31

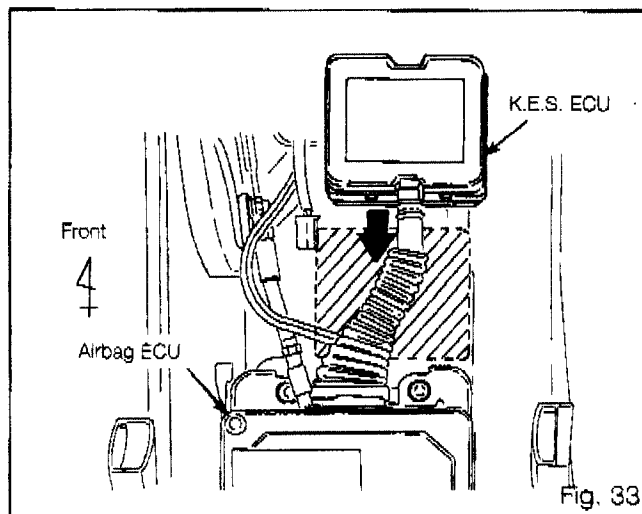
B) Note the ECU's location, and then remove it. Fig 31



(2) Peel the protective backing off one side of the butyl tape pad (provided), and affix the pad to the bottom of the ECU. Fig 32



(3) Peel off the protective backing off the other side of the butyl tape pad, place the ECU (connector facing left) under the airbag ECU's harness, and press the ECU firmly into place. Fig 33



KEYLESS ENTRY SYSTEM
• SUPRA N170S •