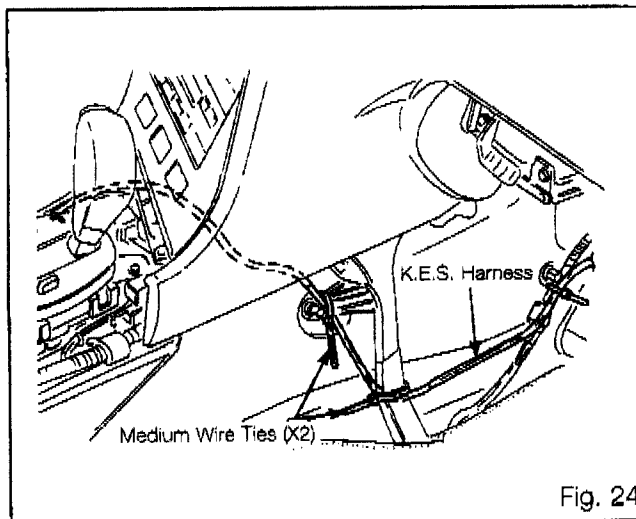
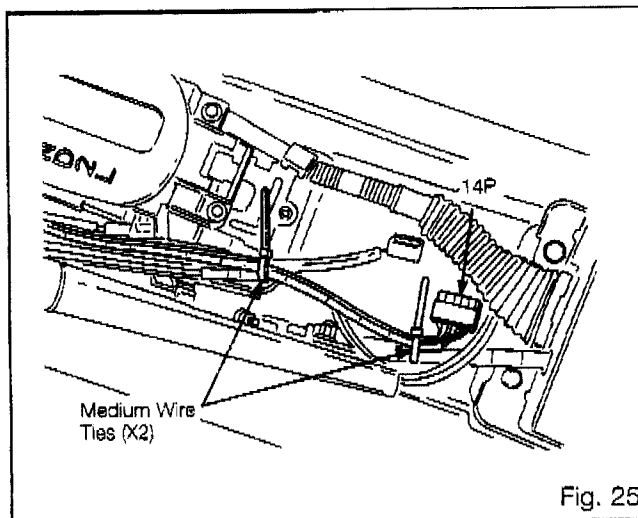


(8) A) Route the K.E.S. harness back toward the center console area, and secure it to the vehicle's wire harness guard with two medium wire ties as shown. Fig 24

B) Route the K.E.S. harness under the edge of the instrument panel's center portion. Fig 24



(9) Route the K.E.S. Harness' 14P ECU connector back to the airbag ECU, and secure it to the vehicle's wire harness with two medium wire ties as shown. Fig 25



(10) Route the GRAY Antenna wire toward the driver's side of the vehicle, and secure it along with the K.E.S. harness to the vehicle's wire harness with a medium wire tie as shown. Fig 26

