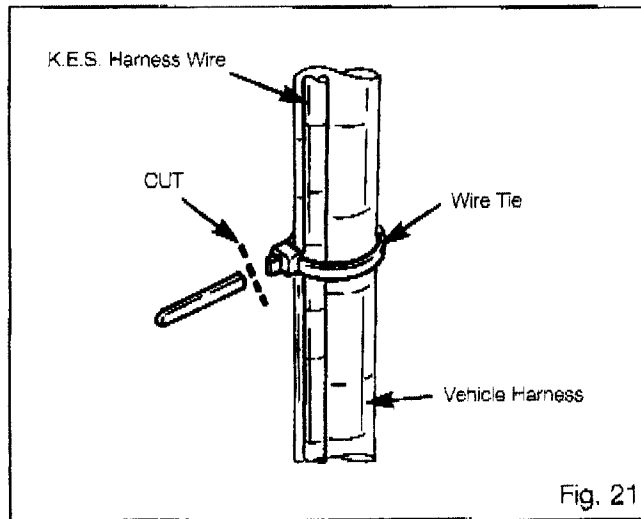
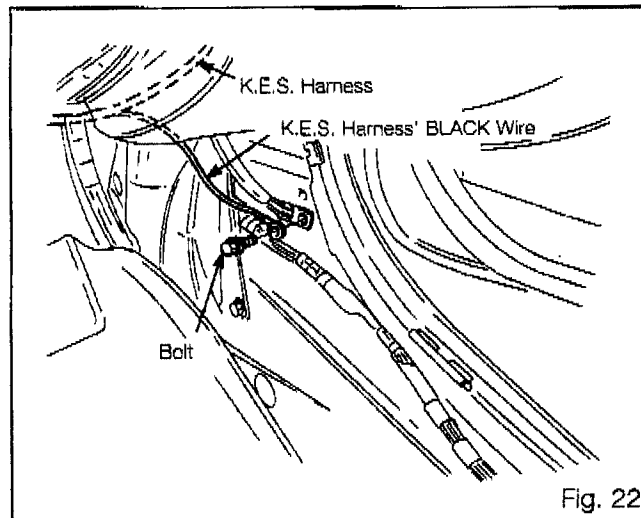


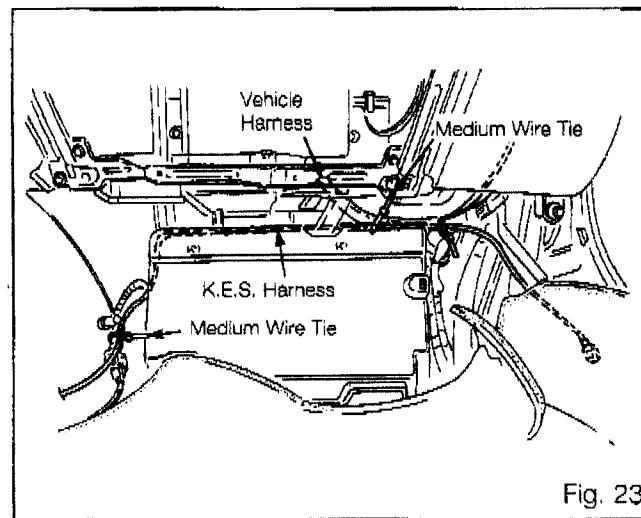
Note: After securing wires or parts with wire ties, cut off the excess portion. Fig 21



- (6) A) Locate and remove the existing Ground bolt in the lower portion of the passenger's side cowl area. Fig 22
- B) Secure the K.E.S. harness' Ground Terminal (along with the vehicle's wire harness ground wires) with the existing bolt. Fig 22



- (7) Route the K.E.S. harness along the vehicle's wire harness near the firewall, and secure with two medium wire ties as shown. Fig 23



KEYLESS ENTRY SYSTEM
• SUPRA 4070ES •