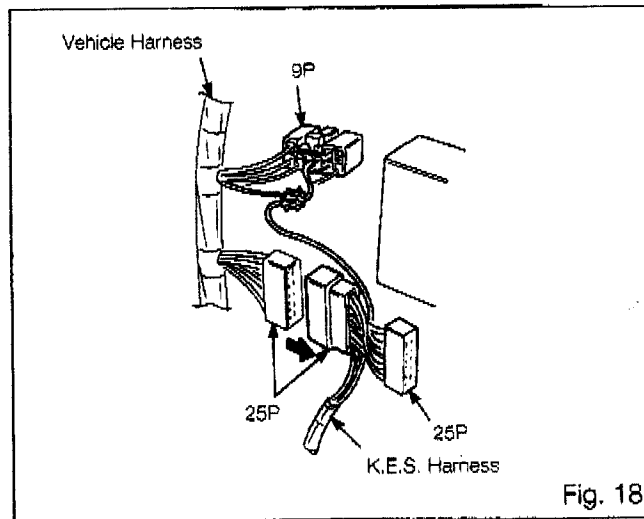
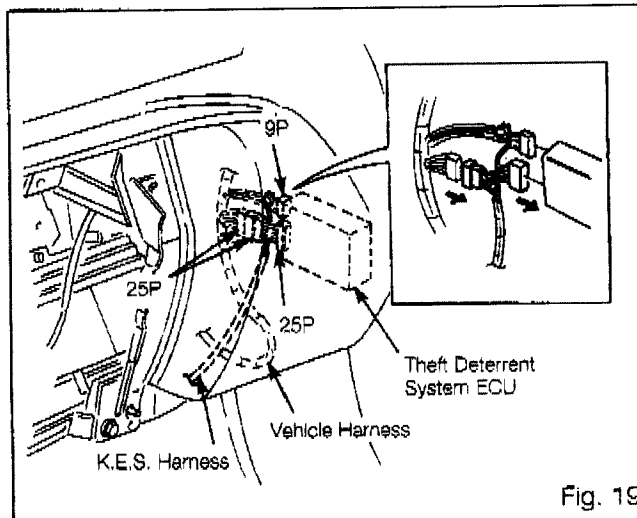


- (3) Insert the vehicle's wire harness orange 25P female connector into the K.E.S. harness' white 25P male connector. Fig 18



- (4) A) Insert the K.E.S. harness' orange 25P female connector into the Door Lock Control/Theft Deterrent System ECU. Fig 19
- (B) Reinsert the 9P connector into the Door Lock Control/Theft Deterrent System ECU. Fig 19



- (5) Secure the K.E.S. harness to the vehicle's wire harness with two medium wires tie as shown. Fig 20

