

(10) Loosen and move the airbag connector holder to one side. Fig 10

**CAUTION!** Do not disconnect the airbag connectors!

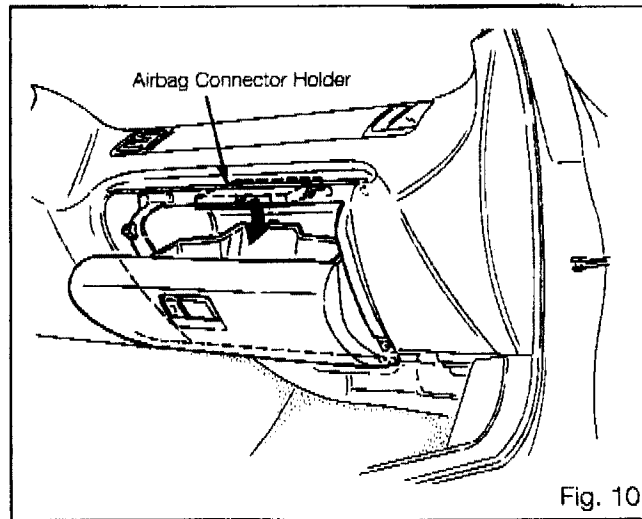


Fig. 10

(11) Remove the glove box door/glove box assembly. (4 screws) Fig 11

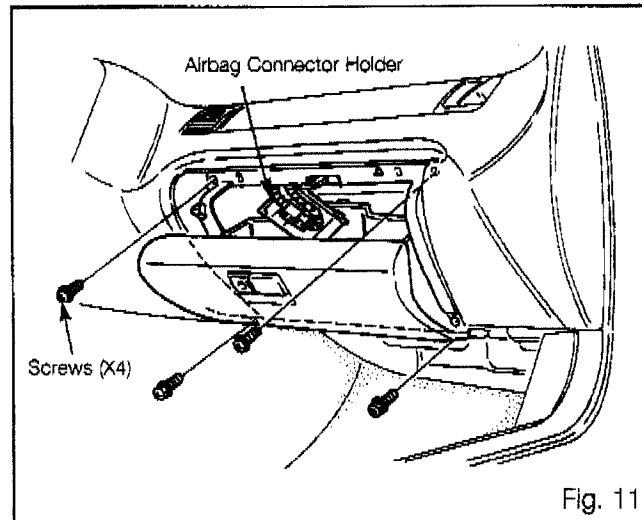


Fig. 11

(12) Remove the passenger's center heater duct. (1 screw) Fig 12

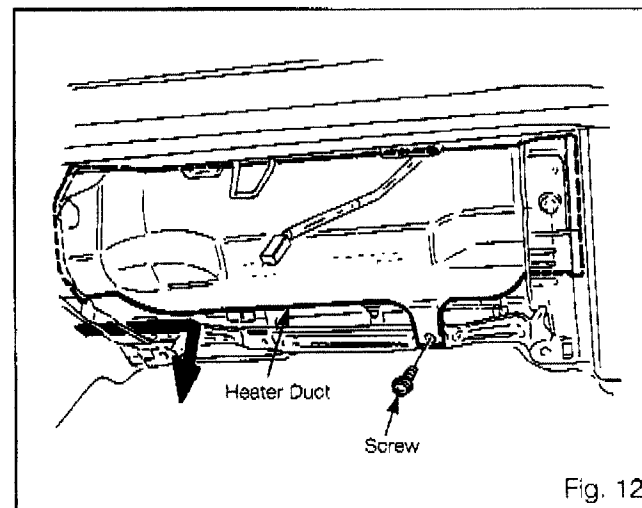


Fig. 12