

- (4) Secure the RS3000 harness to the vehicle's wire harness with one medium wire tie as shown. Fig 43

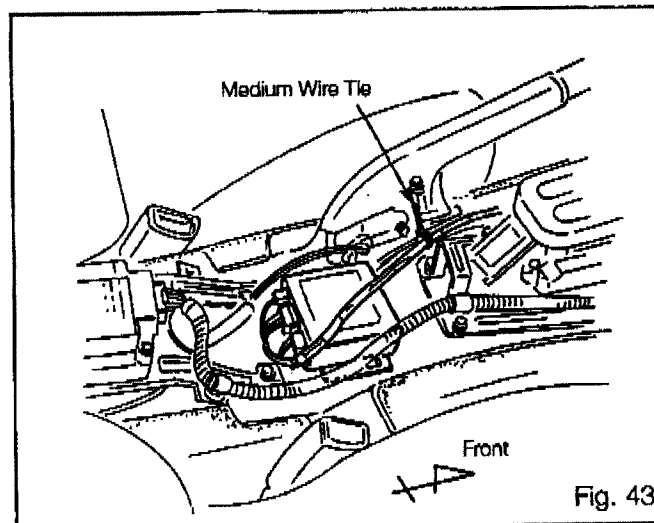


Fig. 43

**GLASS BREAKAGE SENSOR MOUNTING**

- (1) A) Disconnect the Glass Breakage Sensor (microphone) from the RS3000 harness. Fig 44
- B) Reinstall the center console. Fig 44
- C) Clean the side of the gear shift cover in the shaded area. Fig 44

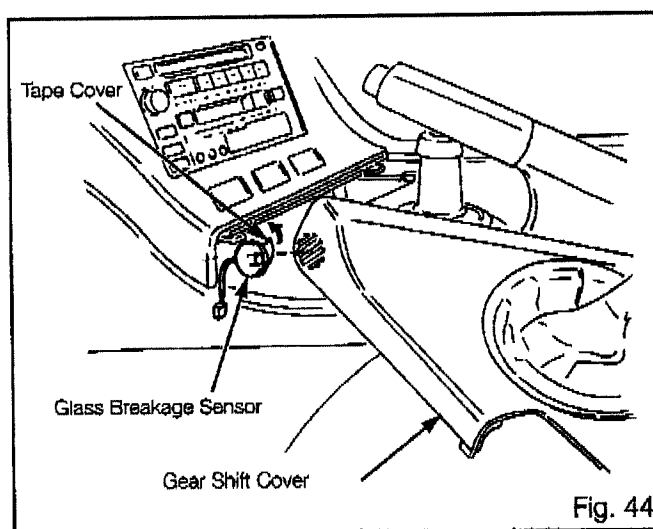


Fig. 44

**CAUTION**  
DO NOT USE ANY ALCOHOL-BASED CLEANER TO CLEAN PLASTIC PANELS. USE SIMPLE GREEN OR AN EQUIVALENT NON-ALCOHOL-BASED CLEANER.

- (2) Peel the protective backing off the Glass Breakage Sensor, then mount the sensor on the side of the gear shift cover as shown. Fig 45

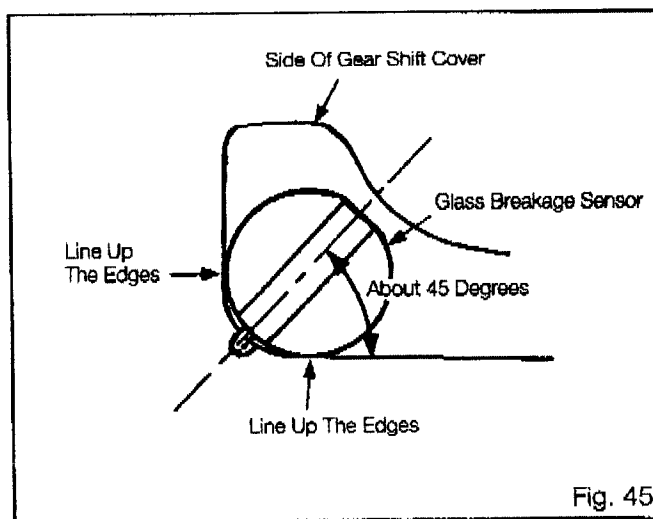


Fig. 45