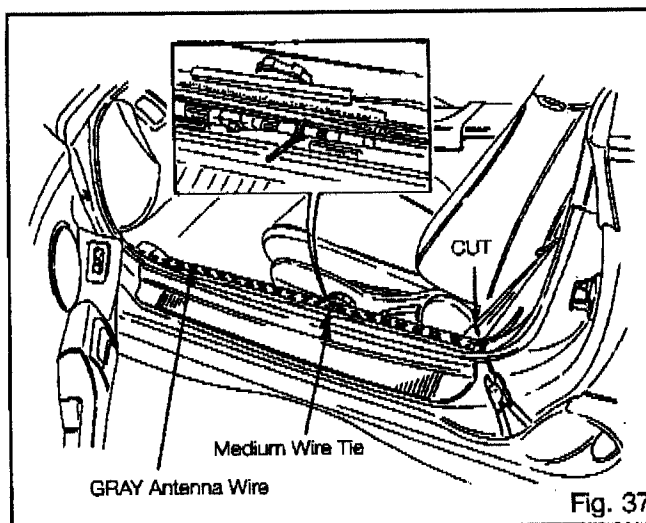


(13) A) Route the GRAY Antenna wire to the end of the door sill, and secure it to the vehicle's wire harness with a medium wire tie. Fig 37

B) Cut off the excess GRAY Antenna wire as shown. Fig 37

### NOTE

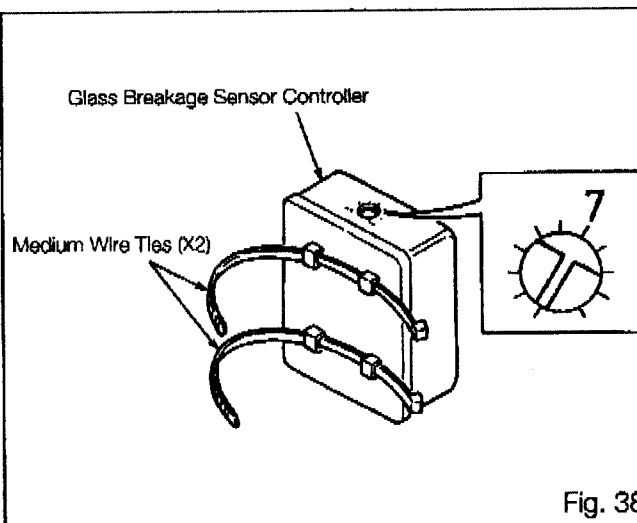
BE SURE TO CUT OFF THE EXCESS GRAY ANTENNA WIRE. BUNDLING THE EXCESS WIRE WILL ADVERSELY AFFECT THE REMOTE CONTROLS' OPERATING RANGE.



### GLASS BREAKAGE SENSOR (G.B.S.) CONTROLLER INSTALLATION

(1) A) Insert two medium wire ties through the back cover of the Glass Breakage Sensor (G.B.S.) controller. Fig 38

B) Using a small, flat blade screwdriver, turn the adjustment screw to the "7" position. Fig 38



(2) A) Locate the RS3000 harness' clear 6P connector in the passenger's cowl area, and plug it into the G.B.S. controller. Fig 39

B) Secure the G.B.S. controller to the vehicle's wire harness as shown. Fig 39

### NOTE

THE G.B.S. CONTROLLER MUST BE ACCESSIBLE TO MAKE ANY NECESSARY ADJUSTMENTS DURING TESTING AND ADJUSTMENT. FALSE "ALARMS" MAY OCCUR IF THE SENSITIVITY LEVEL IS SET TOO HIGH, AND THE SYSTEM MAY NOT BE TRIGGERED PROPERLY IF THE SETTING IS TOO LOW. AFTER TESTING THE SYSTEM AND ADJUSTING AS NECESSARY, TIGHTEN THE WIRE TIES AND CUT OFF THE EXCESS LENGTH.

