

- (11) Route the GRAY Antenna wire under the steering column, and secure it to the vehicle's wire harness with three medium wire ties as shown. Fig 35

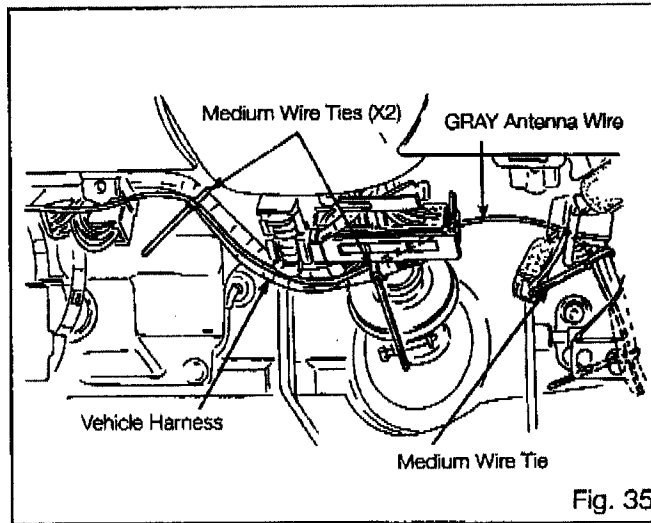


Fig. 35

- (12) A) Route the GRAY Antenna wire along the vehicle's wire harness under the dash, past the cowl area, and through the door sill as shown. Fig 36
- B) Secure the GRAY Antenna wire to the vehicle's wire harness with seven medium wire ties as shown. Fig 36

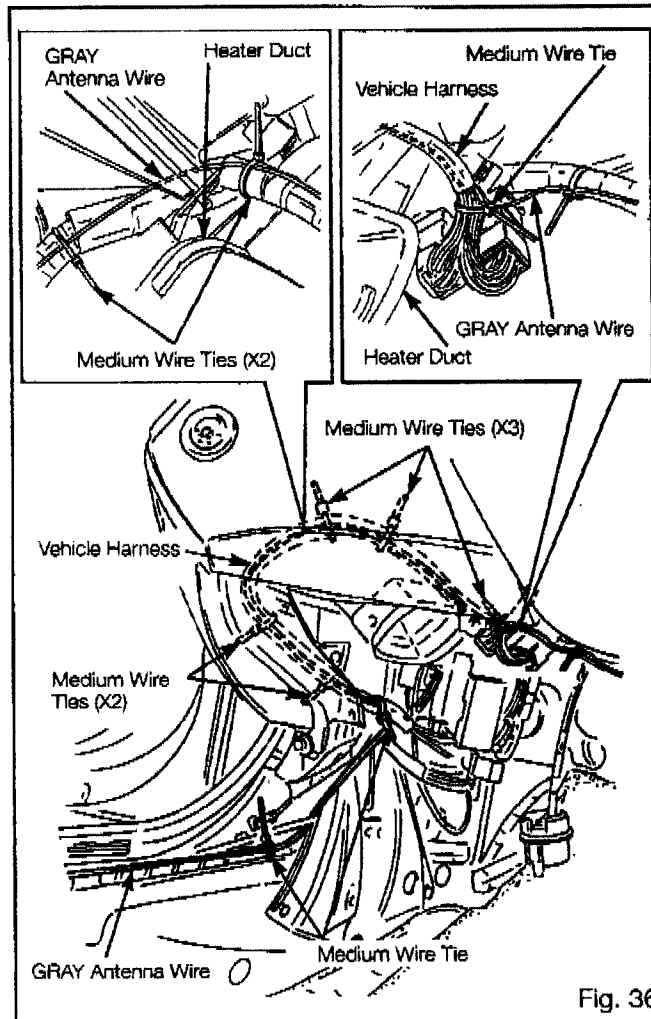


Fig. 36