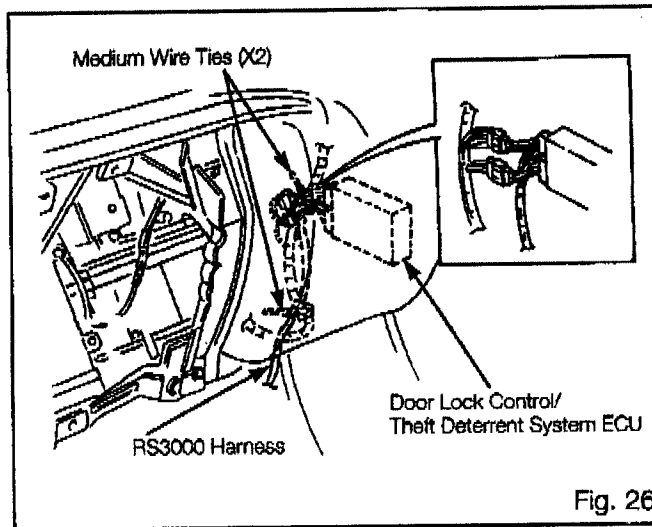
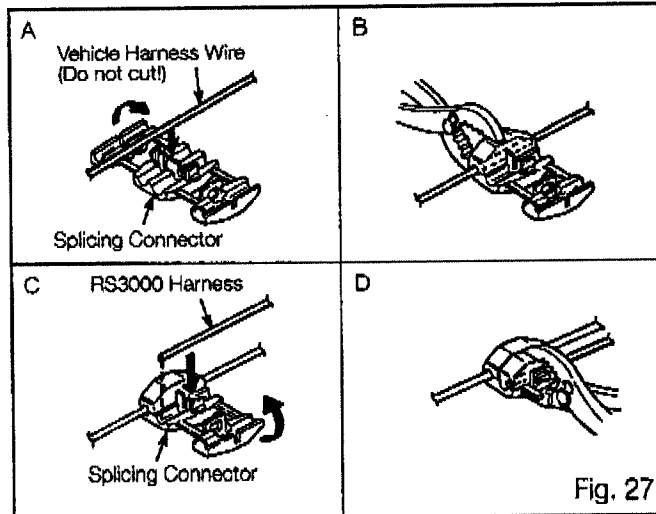


- (3) Secure the RS3000 harness to the vehicle's wire harness with two medium wire tie as shown. Fig 26



WIRE SPLICING CONNECTOR INSTRUCTIONS

- A) Position the open-ended side of a splicing connector under the vehicle wire harness's wire as shown. (A)
- B) Close the top and bottom halves of the open-ended side of the connector with pliers, squeezing them together until locked. (B)
- C) Position the RS3000 harness' wire over the closed-end side as shown. (C)
- D) Close the top and bottom halves of the connector with pliers, squeezing them together until locked. (D)



- (4) A) Inside the vehicle's wire harness running through the passenger's cowl area, locate, separate and lift up the RED/WHITE wire. Fig 28
- B) Using a splicing connector, attach the S3000 harness' RED/WHITE Door Courtesy wire as shown. Fig 28

