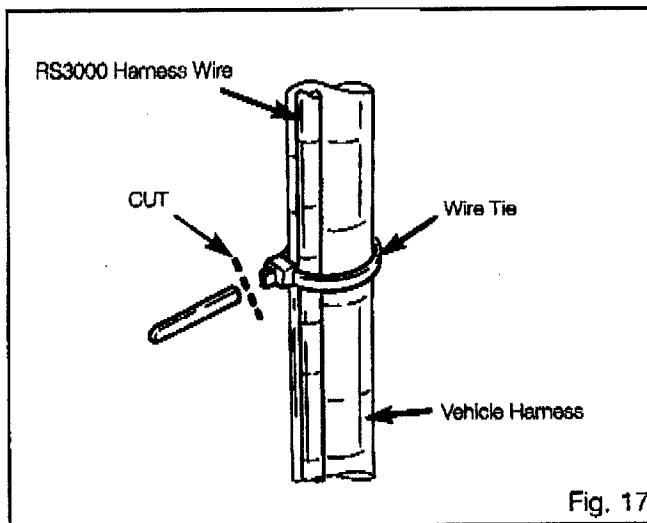
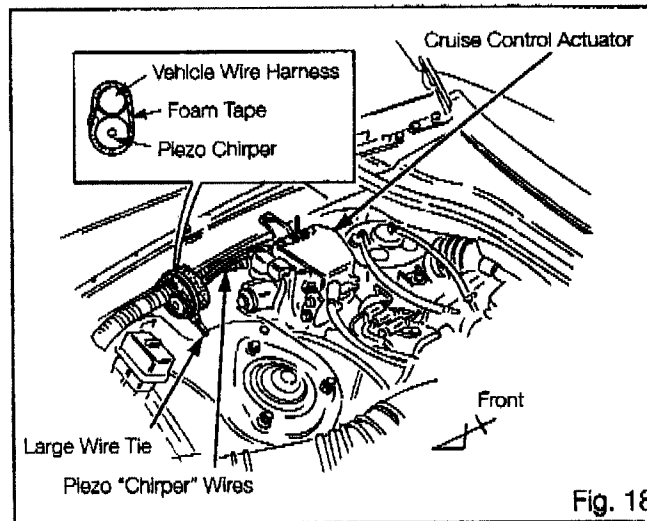


PIEZO "CHIRPER" INSTALLATION

NOTE
AFTER SECURING WIRES OR PARTS WITH WIRE TIES, CUT OFF THE EXCESS PORTION.
FIG 17



- (1) A) On the passenger's side of the engine compartment, using a strip of foam tape and a large wire tie, secure the Piezo "Chirper" to the vehicle's wire harness near the Cruise Control Actuator as shown. Fig 18



- (2) Secure the Piezo "Chirper" wires to the vehicle's wire harness with one medium wire tie, and route them through the hole into the fender well as shown. Fig 19

