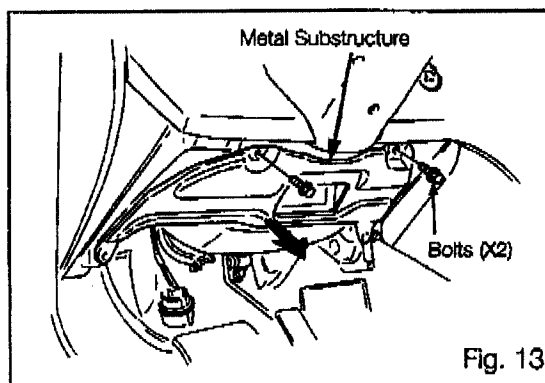
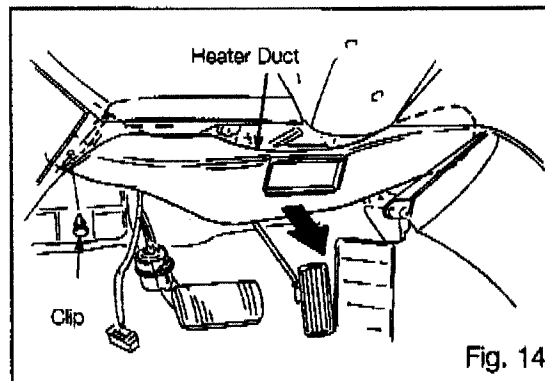


(13) Remove the metal substructure. (2 bolts) Fig 13



(14) Remove the driver's heater duct. (1 clip) Fig 14



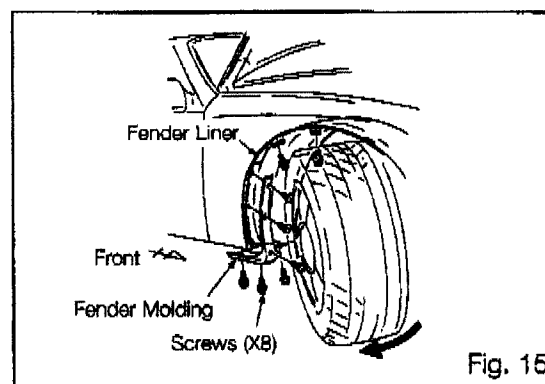
NOTE

BEFORE PERFORMING THE NEXT STEP, YOU MUST INSERT THE KEY INTO THE IGNITION SWITCH AND TURN IT TO "ON".

(15) A) Turn the steering wheel clockwise (to the right) until it stops. Fig 15

B) Remove the fender molding from the passenger's side front fender. (5 screws) Fig 15

C) Loosen the fender liner. (3 screws) Fig 15



— VEHICLE DISASSEMBLY COMPLETE —